

LED FLOOD LIGHTS

**RESELLERS OF OUR PRODUCTS ARE
AVAILABLE NATION WIDE.**

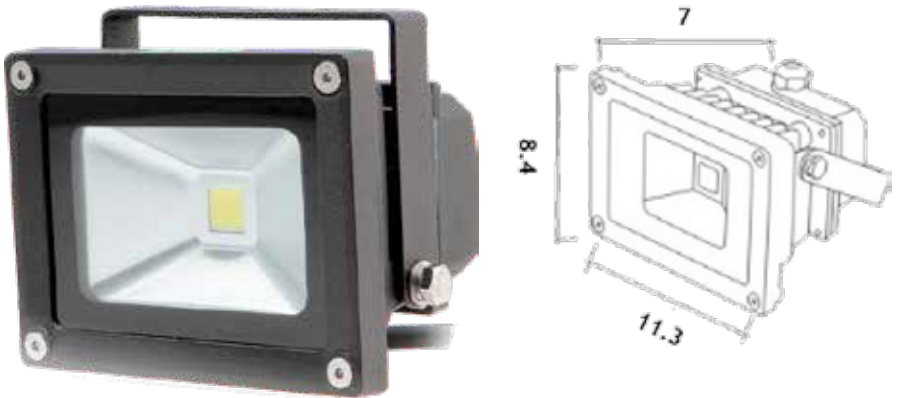
FOR RESELLER QUERIES AND WHOLESAL PRICELISTS / DISCOUNTS
PLEASE CONTACT OUR HEAD OFFICE.



DIE CAST FLOOD LIGHTS

MINI FLOOD

PRODUCT CODES
6FL220-CCR
10FL220-PIR (SENSOR)
10FL12DC
PRODUCT DESCRIPTION
An affordable 6W LED Flood Light black series 4 in a traditional die-cast aluminium housing with tempered glass. The LED Flood Light is a perfect substitute for the conventional 100W halogen flood light awarding the user with more than 90% energy savings and extended lifetime benefits. There is 100% output the moment the light is switched on, no warm-up or strike delays. The 6W series4 flood light has the same performance as the previous 10W series3 flood light.
<ul style="list-style-type: none"> ● 5 YEAR GUARANTEE ● LOCALLY MANUFACTURED ● SABS TESTING IN PROGRESS



SPECIFICATION SUMMARY	
Rated Power:	6W (220VAC) / 10W (12VDC)
Light output:	440lm (220VAC) / 1000lm (12VDC)
Colour:	Warm White or Neutral White or Cool White
LED Technology:	Seoul LED
IP Rating:	IP65
Rated Lifetime:	> 50 000 HRS
Beam Angle:	170°vertical x 170°horizontal
Weight:	0.44 Kg
Dimensions:	113mm x 84mm x 70mm



DIE CAST FLOOD LIGHTS

MIDI FLOOD



PRODUCT CODES

14FL220-CCR

20FL220-PIR (SENSOR)

20FL12DC

PRODUCT DESCRIPTION

An affordable 14W LED Flood Light black series 4 in a traditional die-cast aluminium housing with tempered glass. The LED Flood Light is a perfect substitute for the conventional 150W halogen flood light awarding the user with more than 90% energy savings and extended lifetime benefits. There is 100% output the moment the light is switched on, no warm-up or strike delays. The 14W series4 flood light has the same performance as the previous 20W series3 flood light.

- **5 YEAR GUARANTEE**
- **LOCALLY MANUFACTURED**
- **SABS TESTING IN PROGRESS**

SPECIFICATION SUMMARY

Rated Power:	14W (220VAC) / 20W (12VDC)
Light output:	1026lm (220VAC) / 1900lm (12VDC)
Colour:	Warm White or Neutral White or Cool White
LED Technology:	Seoul LED
IP Rating:	IP65
Rated Lifetime:	> 50 000 HRS
Beam Angle:	170°vertical x 170°horizontal
Weight:	0.6 Kg
Dimensions:	180mm x 140mm x 100mm



DIE CAST FLOOD LIGHTS MAXI FLOOD

PRODUCT CODES

24FL220-CCR

30FL12DC

PRODUCT DESCRIPTION

An affordable 24W LED Flood Light black series 4 in a traditional die-cast aluminium housing with tempered glass. The LED Flood Light is a perfect substitute for the conventional 300W halogen flood light awarding the user with up to 90% energy cost savings and extended lifetime benefits. There is 100% output the moment the light is switched on, no warm-up or strike delays. New driverless technology. Equivalent to the traditional 30W COB LED flood lights. Warm white, neutral white or cool white.

- **5 YEAR GUARANTEE**
- **LOCALLY MANUFACTURED**
- **SABS TESTING IN PROGRESS**



SPECIFICATION SUMMARY

Rated Power:	24W (220VAC) / 30W (12VDC)
Light output:	2700lm
Colour:	3000K, 4000K or 5000K
LED Technology:	Luxeon LED
IP Rating:	IP65
Rated Lifetime:	> 50 000 HRS
Beam Angle:	165°vertical x 165°horizontal
Weight:	0.7 Kg
Dimensions:	220mm x 180mm x 110mm



SERIES 4 FLOOD LIGHTS

25 WATT FLOOD

PRODUCT CODES

25FL220-S4

24FL12-S4

PRODUCT DESCRIPTION

25W LED Flood Light CCR series 4 in an array of anodized aluminium extruded housing with a clear UV resistant ultra high impact poly-carbonate cover. The LED Flood Light is a locally developed OEM design to replace the 50W S3 COB LED Flood lights and a good substitute for the conventional 70W HID flood light awarding the user with up to 67% energy cost savings and extended lifetime benefits. New CCR driverless technology eliminating the need for third party drivers. There is 100% output the moment the light is switched on, no warm-up or strike delays.

Surge and Lightning Protection
Replaceable Fuse

- **5 YEAR GUARANTEE**
- **LOCALLY MANUFACTURED**
- **SABS TESTING IN PROGRESS**



SPECIFICATION SUMMARY

Rated Power:	25W (220VAC) / 24W (12VDC)
Light output:	2350lm (220VAC) / 2910lm (12VDC)
Colour:	Cool White, Neutral White or Warm White
LED Technology:	Seoul LED
IP Rating:	IP65
Rated Lifetime:	> 80 000 HRS
Beam Angle:	60°vertical x 170°horizontal
Weight:	1.6 Kg
Dimensions:	100mm x 300mm x 105mm



SERIES 4 FLOOD LIGHTS

50 WATT FLOOD

PRODUCT CODES

50FL220-S4

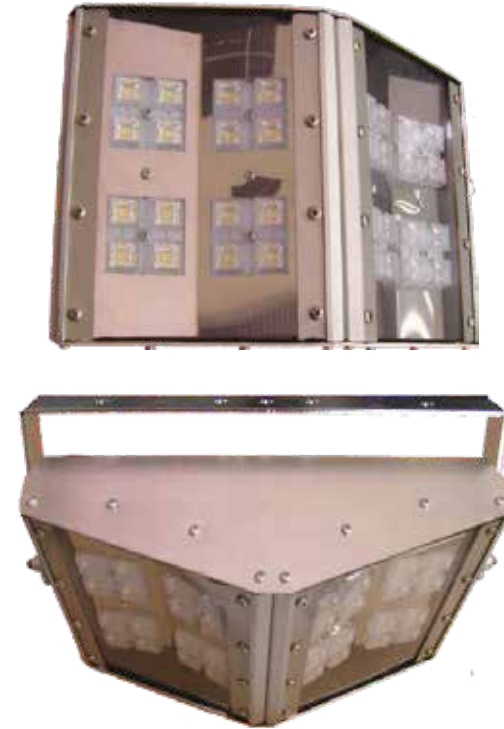
48FL12-S4

PRODUCT DESCRIPTION

50W LED Flood Light CCR series 4 in an array of anodized aluminium extruded housing with a clear UV resistant ultra high impact poly-carbonate cover. The LED Flood Light is a locally developed OEM design to replace the 100W S3 COB LED Flood lights and a good substitute for the conventional 150W HID flood light awarding the user with up to 67% energy cost savings and extended lifetime benefits. New CCR driverless technology eliminating the need for third party drivers. There is 100% output the moment the light is switched on, no warm-up or strike delays.

Surge and Lightning Protection
Replaceable Fuse

- **5 YEAR GUARANTEE**
- **LOCALLY MANUFACTURED**
- **SABS TESTING IN PROGRESS**



SPECIFICATION SUMMARY

Rated Power:	50W (220VAC) / 48W (12VDC)
Light output:	4701lm (220VAC) / 5820lm (12VDC)
Colour:	Cool White, Neutral White or Warm White
LED Technology:	Seoul LED
IP Rating:	IP65
Rated Lifetime:	> 80 000 HRS @ 25°C Ambient
Beam Angle:	60°vertical x 170°horizontal
Weight:	2.7 Kg
Dimensions:	200mm x 300mm x 105mm



SERIES 4 FLOOD LIGHTS

75 WATT FLOOD

PRODUCT CODES

75FL220-S4

PRODUCT DESCRIPTION

75W LED Flood Light CCR series 4 in an array of anodized aluminium extruded housing with a clear UV resistant ultra high impact poly-carbonate cover. The LED Flood Light is a locally developed OEM design to replace the 160W S3 COB LED Flood lights and a good substitute for the conventional 250W HID flood light awarding the user with up to 70% energy cost savings and extended lifetime benefits. New CCR driverless technology eliminating the need for third party drivers. There is 100% output the moment the light is switched on, no warm-up or strike delays.

Surge and Lightning Protection
Replaceable Fuse

- **5 YEAR GUARANTEE**
- **LOCALLY MANUFACTURED**
- **SABS TESTING IN PROGRESS**



SPECIFICATION SUMMARY

Rated Power:	75W (220VAC)
Light output:	6937 lm
Colour:	Cool White, Neutral White or Warm White
LED Technology:	Seoul LED
IP Rating:	IP65
Rated Lifetime:	> 80 000 HRS @ 25°C Ambient
Beam Angle:	60°vertical x 170°horizontal
Weight:	3.5 Kg
Dimensions:	300mm x 300mm x 105mm



SERIES 4 FLOOD LIGHTS

100 WATT FLOOD

PRODUCT CODES

100FL220-S4

96FL12-S4

PRODUCT DESCRIPTION

100W LED Flood Light CCR series 4 in an array of anodized aluminium extruded housing with a clear UV resistant ultra high impact poly-carbonate cover. The LED Flood Light is a locally developed OEM design to replace the 200W S3 COB LED Flood lights and a good substitute for the conventional 400W metal halide flood light awarding the user with up to 75% energy cost savings and extended lifetime benefits. New CCR driverless technology eliminating the need for third party drivers. There is 100% output the moment the light is switched on, no warm-up or strike delays.

Surge and Lightning Protection
Replaceable Fuse

- **5 YEAR GUARANTEE**
- **LOCALLY MANUFACTURED**
- **SABS TESTING IN PROGRESS**



SPECIFICATION SUMMARY

Rated Power:	100W (220VAC) / 96W (12VDC)
Light output:	9402lm (220VAC) / 11 640lm (12VDC)
Colour:	Cool White, Neutral White or Warm White
LED Technology:	Seoul LED
IP Rating:	IP65
Rated Lifetime:	> 80 000 HRS @ 25°C Ambient
Beam Angle:	60°vertical x 170°horizontal
Weight:	5Kg
Dimensions:	400mm x 300mm x 105mm



SERIES 4 FLOOD LIGHTS

150 WATT FLOOD

PRODUCT CODES

150FL220-S4

PRODUCT DESCRIPTION

150W LED Flood Light CCR series 4 in an array of anodized aluminium extruded housing with a clear UV resistant ultra high impact poly-carbonate cover. The LED Flood Light is a locally developed OEM design to substitute the conventional 400W metal halide flood light awarding the user with up to 65% energy cost savings and extended lifetime benefits. New CCR driverless technology eliminating the need for third party drivers. There is 100% output the moment the light is switched on, no warm-up or strike delays.

Surge and Lightning Protection
Replaceable Fuse

- **5 YEAR GUARANTEE**
- **LOCALLY MANUFACTURED**
- **SABS TESTING IN PROGRESS**



SPECIFICATION SUMMARY

Rated Power:	150W (220VAC)
Light output:	13953lm
Colour:	Cool White, Neutral White or Warm White
LED Technology:	Seoul LED
IP Rating:	IP65
Rated Lifetime:	> 80 000 HRS @ 25°C Ambient
Beam Angle:	60°vertical x 170°horizontal
Weight:	7 Kg
Dimensions:	600mm x 300mm x 105mm

