

LED BULBS & TUBES

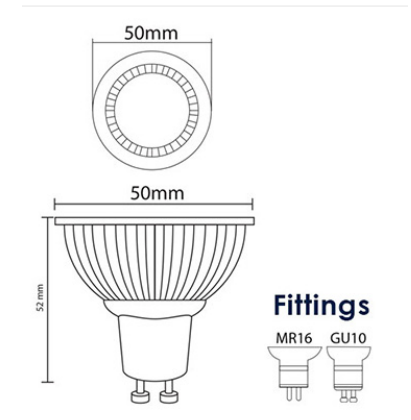
**RESELLERS OF OUR PRODUCTS ARE
AVAILABLE NATION WIDE.**

FOR RESELLER QUERIES AND WHOLESAL PRICELISTS / DISCOUNTS
PLEASE CONTACT OUR HEAD OFFICE.



BULBS

5 WATT DOWNLIGHTS



PRODUCT CODES

5GU10-220

PRODUCT DESCRIPTION

Low power consumption with long lamp life. The LED downlight has up to 90% energy savings and no UV output. Suitable for replacement for a 50W halogen lamp.

Ideal for accent and general lighting (eg. hotels, shops, offices)

- **1 YEAR GUARANTEE**
- **LOCALLY MANUFACTURED**
- **SABS TESTING IN PROGRESS**

SPECIFICATION SUMMARY

Rated Power:	5W (220VAC)
Light output:	360lm
Colour:	Warm White or Neutral White or Cool White
LED Technology:	Edison
IP Rating:	IP44
Rated Lifetime:	> 50 000 HRS
Beam Angle:	60°
Weight:	80g
Dimensions:	50mm (d) x 52mm (h)



BULBS

7 WATT GLOBES

PRODUCT CODES

7WBULBB22

7WBULBES27

PRODUCT DESCRIPTION

Low power consumption with long lamp life. The LED globe has up to 90% energy savings and no UV output. Suitable for replacement for a 50W halogen lamp.

Ideal for accent and general lighting (eg. hotels, shops, offices)

- **1 YEAR GUARANTEE**
- **LOCALLY MANUFACTURED**
- **SABS TESTING IN PROGRESS**



SPECIFICATION SUMMARY

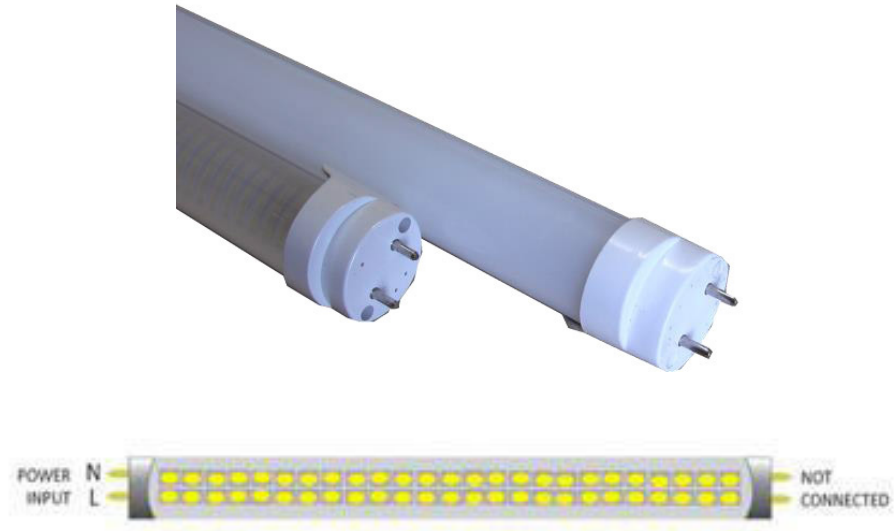
Rated Power:	7W (220VAC)
Light output:	850lm
Colour:	Warm White or Neutral White or Cool White
LED Technology:	Edison
IP Rating:	IP44
Rated Lifetime:	> 50 000 HRS
Weight:	0.02g
Dimensions:	50mm (d) x 57mm (h)



T8-LED TUBES

8 WATT - 23 WATT TUBE

PRODUCT CODES
8TB220-PW
10TB220-PW
18TB220-PW
23TB220-PW
PRODUCT DESCRIPTION
<p>This design features an anodised aluminium extrusion and poly-carbonate cover. Integrated LED Driver. Indoor applications. Single ended power input. Clear or milky covers. A suitable replacement for 58 W fluorescent tube light. >60% POWER SAVING! There is 100% output the moment the light is switched on, no warm-up or strike delays.</p>
<ul style="list-style-type: none"> ● 2 YEAR GUARANTEE ● LOCALLY MANUFACTURED ● SABS TESTING IN PROGRESS



SPECIFICATION SUMMARY		
Rated Power:	8W - 23W (220VAC)	
Light output:	990lm (8W)	1950lm (18W)
	1300lm (10W)	2350lm (23W)
Colour:	Cool White - 5000K (3000K on request)	
LED Technology:	Edison	
IP Rating:	IP20	
Rated Lifetime:	> 50 000 HRS	
Beam Angle:	140°	
Dimensions:	600mm x 26mm (8W)	1200mm x 26mm (18W)
	900mm x 26mm (10W)	1500mm x 26mm (23W)

